



- ▶ The quiet, stable, remote controlled electronic lifts are especially designed for Plasmas / LCD Flat Screen .
- ▶ Each lift comes with a radiowave remote control - it can be used from anywhere within the room unlike infrared that would require pointing to a visible receiver.
- ▶ This large heavy duty version uses a Bosch motor for whisper quiet operation and a ball bearing guide system for increased stability.
- ▶ Maxi Lift Systems is available in 750 mm, to accommodate very large Plasmas/ LCD Flat Screen .
- ▶ It has an installation depth of just 70 mm.

# Product Memo : Maxi Lift Electronic Plasma Lift



Plasma Lift Mechanism  
Article No. : 421.68.420

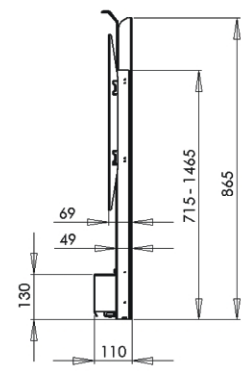
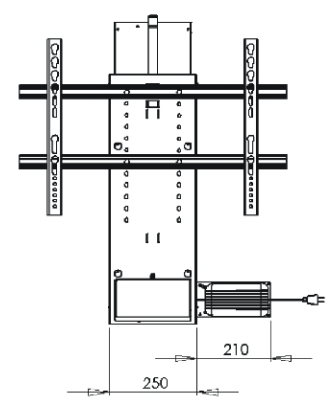
**M.R.P - 53,150**  
**(INCLUDING REMOTE)**



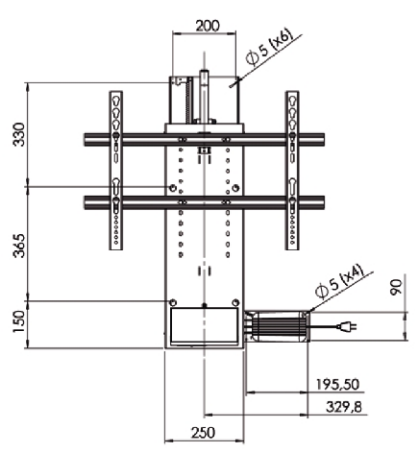
Plasma Lift Remote

- **Area of application:** Used in cabinets for raising and lowering flat screen televisions
- **Material:** Steel
- **Finish:** Black
- **Mounting method :** Suitable for the below VESA standards  
400 x 100  
400 x 400  
600 x 200  
600 x 400
- **Height of mechanism :** 715 mm (closed) to 1465 mm (open)
- **Stroke :** 750 mm
- **Weight capacity :** 100 kg
- **Speed :** 28 mm / second

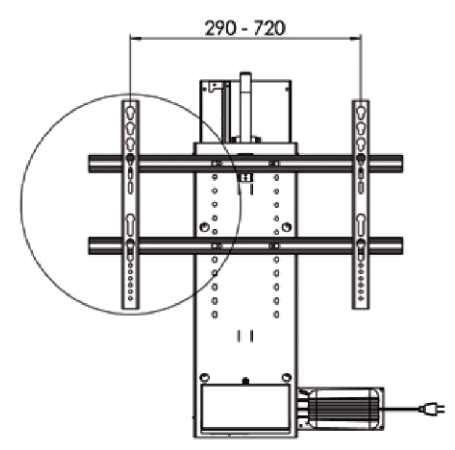
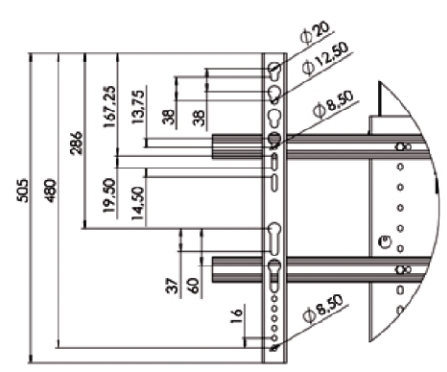
## Dimensions



## Cabinet installation dimensions:



## Plasma installation



**Note:** Set includes radio frequency remote control and mounting bracket. Cabinet and screen are not included.

**Mumbai Corporate Office & Design Centre :** Hafele India Pvt. Ltd., 4<sup>th</sup> Floor, JMC House, Bisleri Compound, Western Express Highway, Andheri (E), Mumbai - 400 099. Tel.: 022 6142 6100, Fax : 022 6695 0922



<b>New Delhi Design Centre:</b> Tel. : 011-4160 5481. Fax - 011-4160 5482.	<b>Bangalore Design Centre:</b> Tel. : 080-4132 6116. Fax - 080-4132 6226.	<b>Hyderabad Design Centre:</b> Tel. : 040-3244 4111. Fax - 040-6666 8852.	<b>Pune:</b> Tel. : 020-2426 6264. Fax - 020- 2426 6274.	<b>Kolkatta:</b> Tel. : 033-3260 6354. Fax - 033-2498 8020	<b>Chennai:</b> Tel. : 044-4215 1542 Fax - 044-2446 0922
--	--	--	--	--	--

Hafele Customer Care : 022-6142 6142

**Company Contact :** Ahmedabad - 9376613862, Bangalore - 9341352989, Bhubaneshwar - 9338212142, Chennai - 9380007291, Cochin - 9349891422 / 9349259889, Goa - 9371476554, Hyderabad - 9346201802, Indore - 9302769381, Jaipur - 9352664335, Kolkata - 9331422015, Ludhiana - 9316451106, Mumbai - 9320981180, New Delhi - 9350173779, Pune - 9371158030, Surat - 9327347208, Uttar Pradesh - 9335195692